

WeeCade - Bartop cabinet plans

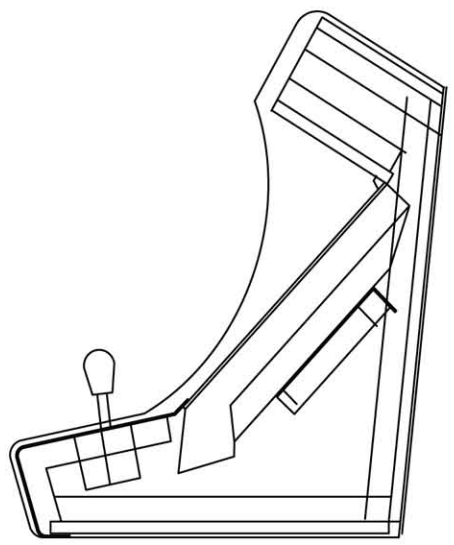
Copyright Rasmus Konig Sorensen

Adapted by Degenatrons for Coinops4 Project (changes in blue)

XBOX and COINOPS4
Powered arcade cabinet

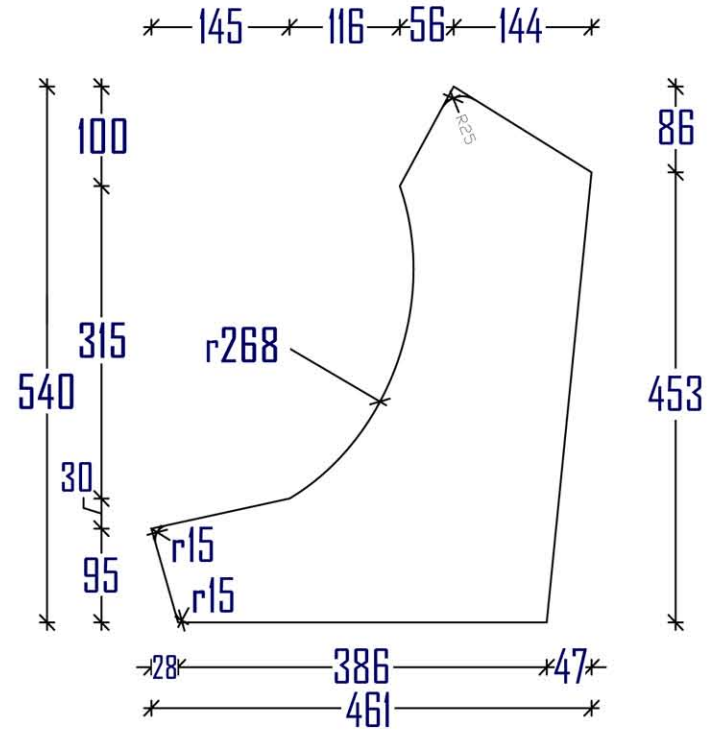


Moulding plan

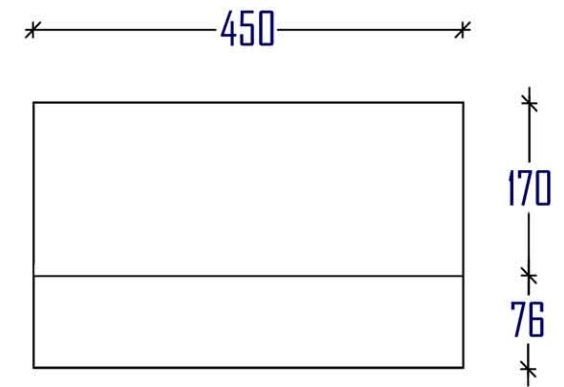


453

12mm MDF cutting



Control Panel



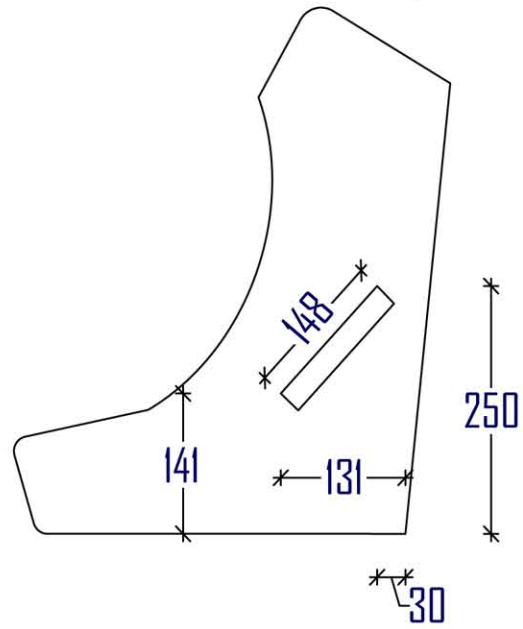
Joined using "L" brackets at 80° angle



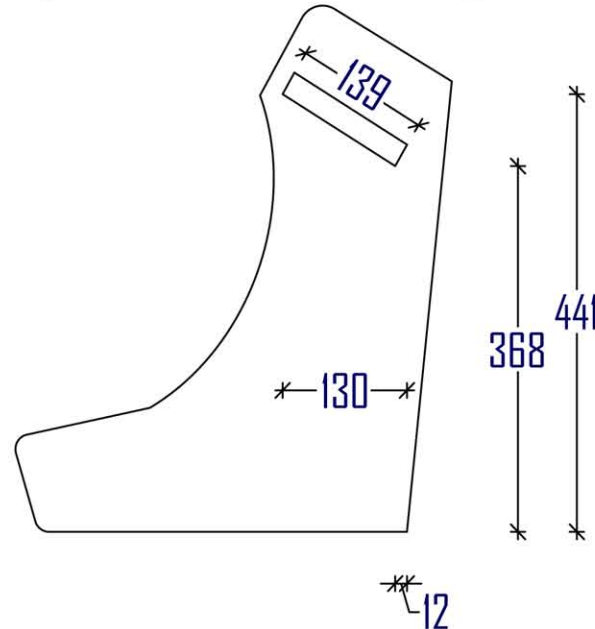
Artwork fixed to panel wraps around bend



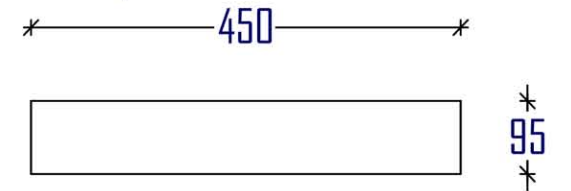
Monitor bar moulding



Speakerboard moulding



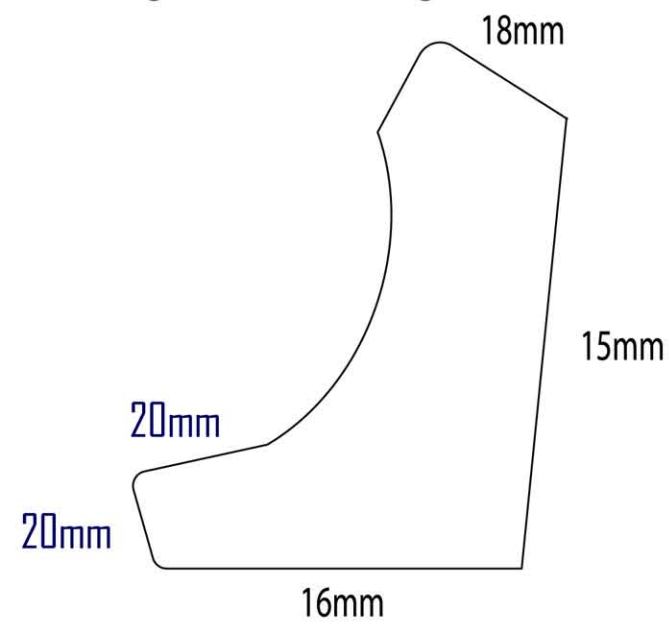
Marquee



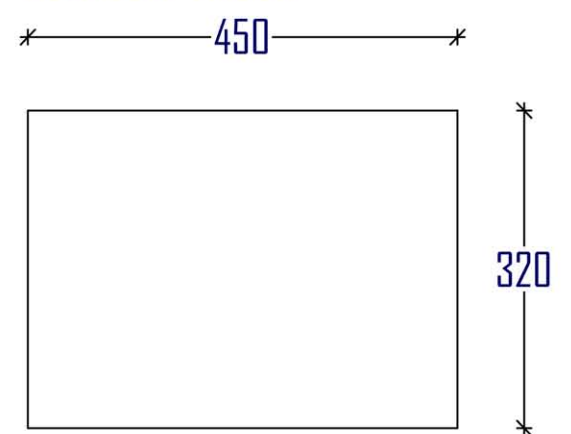
2 x 3mm thick acrylic (to sandwich artwork)



Edge to moulding



Monitor Bezel



3mm or 5mm thick acrylic

Panels

